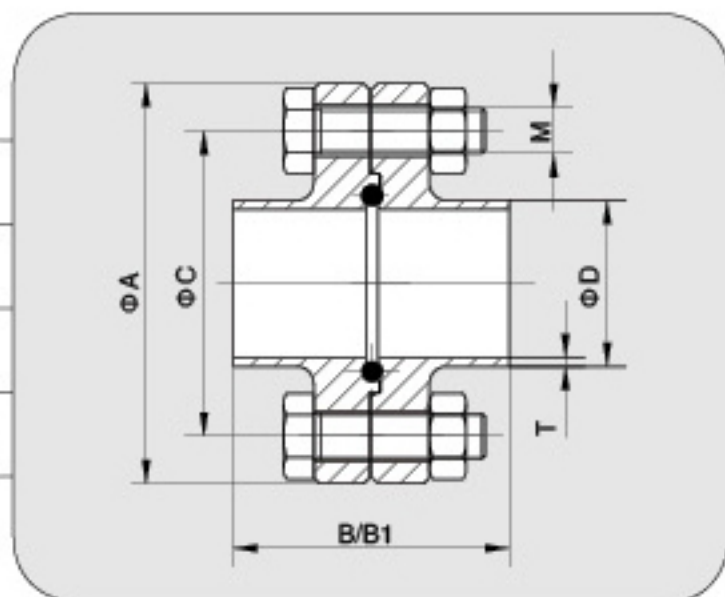


## 法兰组件

## Flange fittings

3A-FL

Size	A	B	B1	C	D	T	M
1"	66	48	80	49	25.4	1.65	4xM8
1.5"	79	48	90	62	38.1	1.65	4xM8
2"	92	48	90	75	50.8	1.65	4xM8
2.5"	107	48	108	89	63.5	1.65	8xM8
3"	125	52	112	104	76.2	1.65	8xM10
4"	157	52	116	135	101.6	2.11	8xM10

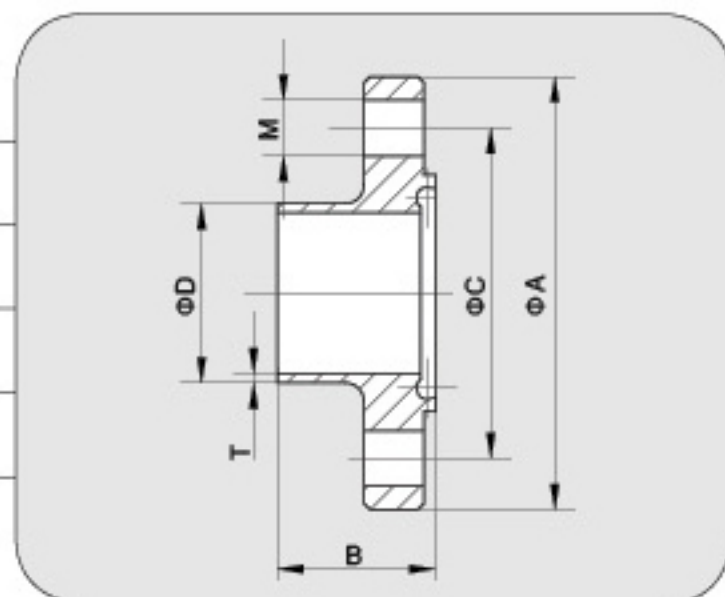


## 凸面法兰

## Protrude flange

3A-21

Size	A	B	C	D	T	M
1"	66	25.5	49	25.4	1.65	4xø9
1.5"	79	25.5	62	38.1	1.65	4xø9
2"	92	25.5	75	50.8	1.65	4xø9
2.5"	107	25.5	89	63.5	1.65	8xø9
3"	125	27.5	104	76.2	1.65	8xø11
4"	157	27.5	135	101.6	2.11	8xø11

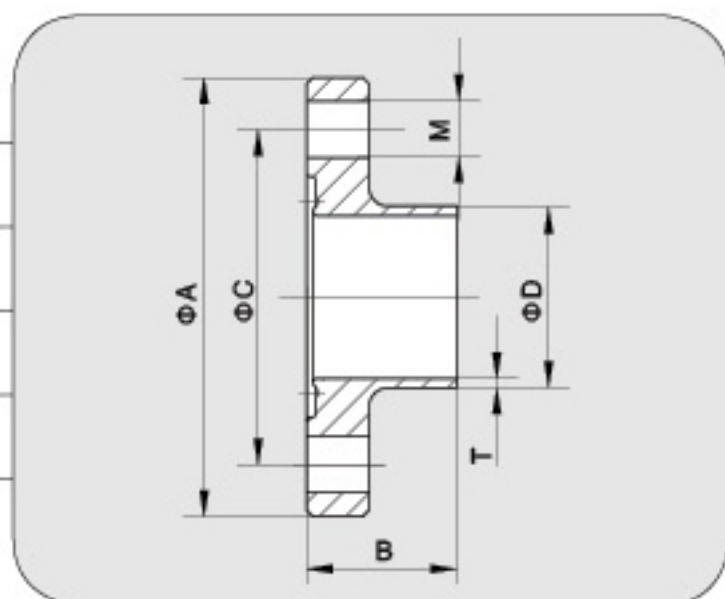


## 凹面法兰

## Concave flange

3A-22

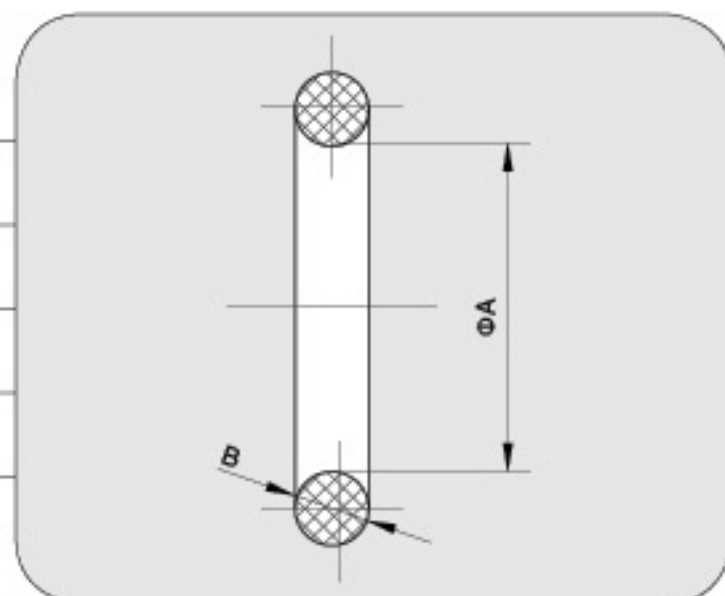
Size	A	B	C	D	T	M
1"	66	24	49	25.4	1.65	4xø9
1.5"	79	24	62	38.1	1.65	4xø9
2"	92	24	75	50.8	1.65	4xø9
2.5"	107	24	89	63.5	1.65	8xø9
3"	125	26	104	76.2	1.65	8xø11
4"	157	26	135	101.6	2.11	8xø11



## O型密封圈

## Seal ring

Size	A	B
1"	24	3.5
1.5"	37	5
2"	50	5
2.5"	62	5
3"	75	5
4"	100	5

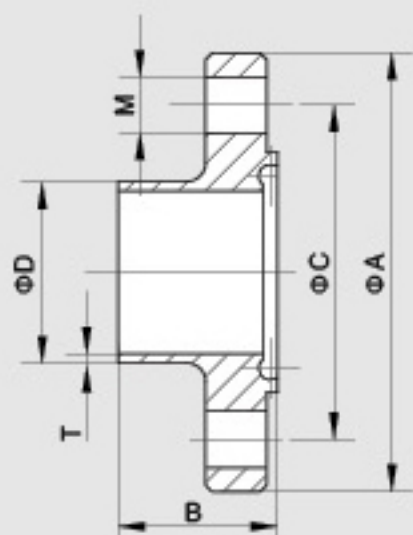


# 3A

凸面法兰

Protrude flange

## 3A-21L

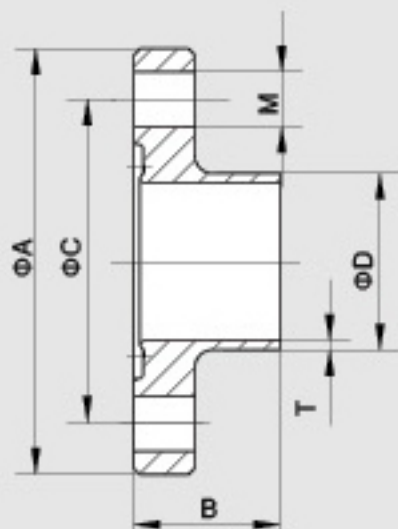


Size	A	B	C	D	T	M
1"	66	41.5	49	25.4	1.65	4xø9
1.5"	79	46.5	62	38.1	1.65	4xø9
2"	92	46.5	75	50.8	1.65	4xø9
2.5"	107	55.5	89	63.5	1.65	8xø9
3"	125	57.5	104	76.2	1.65	8xø11
4"	157	59.5	135	101.6	2.11	8xø11

凹面法兰

Concave flange

## 3A-22L

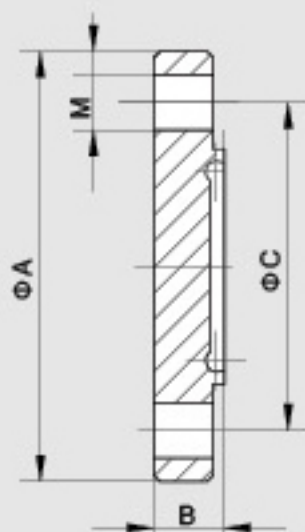


Size	A	B	C	D	T	M
1"	66	40	49	25.4	1.65	4xø9
1.5"	79	45	62	38.1	1.65	4xø9
2"	92	45	75	50.8	1.65	4xø9
2.5"	107	54	89	63.5	1.65	8xø9
3"	125	56	104	76.2	1.65	8xø11
4"	157	58	135	101.6	2.11	8xø11

凸面法兰盲板

Blank flange with protrude

## 3A-21B

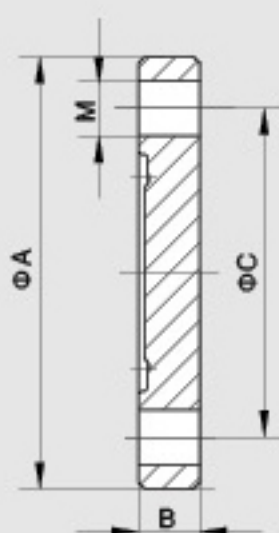


Size	A	B	C	M
1"	66	11.5	49	4xø9
1.5"	79	11.5	62	4xø9
2"	92	11.5	75	4xø9
2.5"	107	11.5	89	8xø9
3"	125	13.5	104	8xø11
4"	157	15.5	135	8xø11

凹面法兰盲板

Blank flange with concave

## 3A-22B



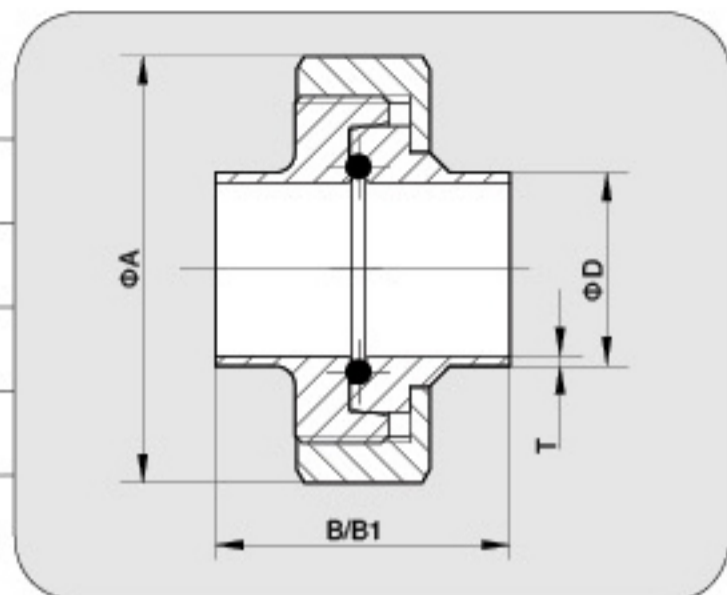
Size	A	B	C	M
1"	66	10	49	4xø9
1.5"	79	10	62	4xø9
2"	92	10	75	4xø9
2.5"	107	10	89	8xø9
3"	125	12	104	8xø11
4"	157	14	135	8xø11

## 活接组件

## Unions

3A-LW

Size	A	B	B1	D	T
1"	63	42	77	25.4	1.65
1.5"	78	50	88	38.1	1.65
2"	92	54	89	50.8	1.65
2.5"	112	62	115	63.5	1.65
3"	127	72	117	76.2	1.65
4"	148	86	119	101.6	2.11

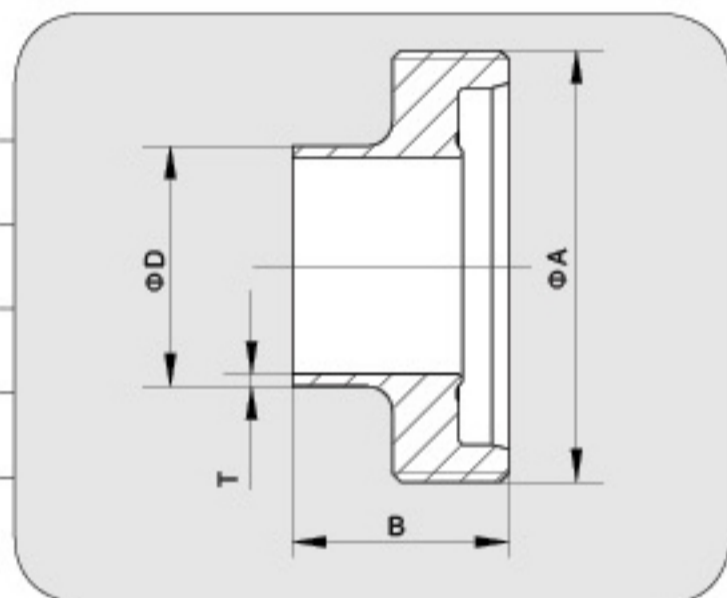


## 焊接云头

## Welding male

3A-31

Size	A	B	D	T
1"	RD52x1/6"	26	25.4	1.65
1.5"	RD65x1/6"	31	38.1	1.65
2"	RD78x1/6"	31	50.8	1.65
2.5"	RD95x1/6"	36	63.5	1.65
3"	RD110x1/4"	42	76.2	1.65
4"	RD130x1/4"	50	101.6	2.11

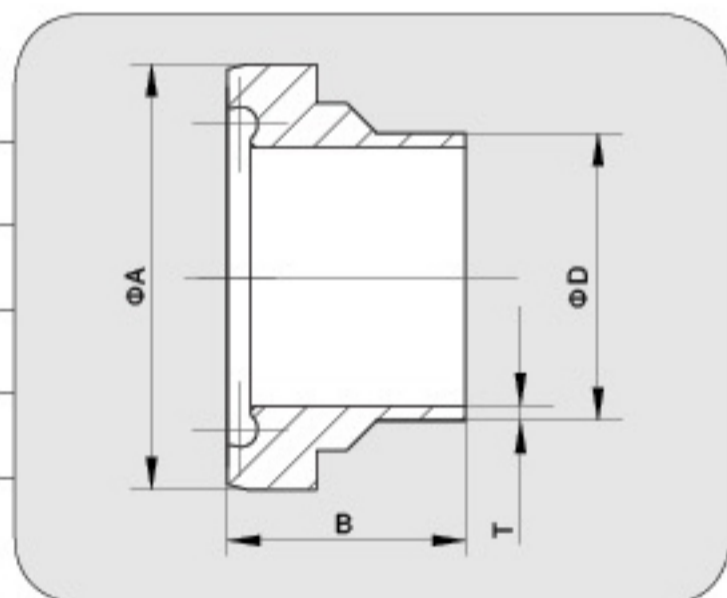


## 焊接接头

## Welding liner

3A-32

Size	A	B	D	T
1"	42.9	22	25.4	1.65
1.5"	54.9	26	38.1	1.65
2"	66.9	30	50.8	1.65
2.5"	84.9	34	63.5	1.65
3"	98.9	38	76.2	1.65
4"	118.9	46	101.6	2.11

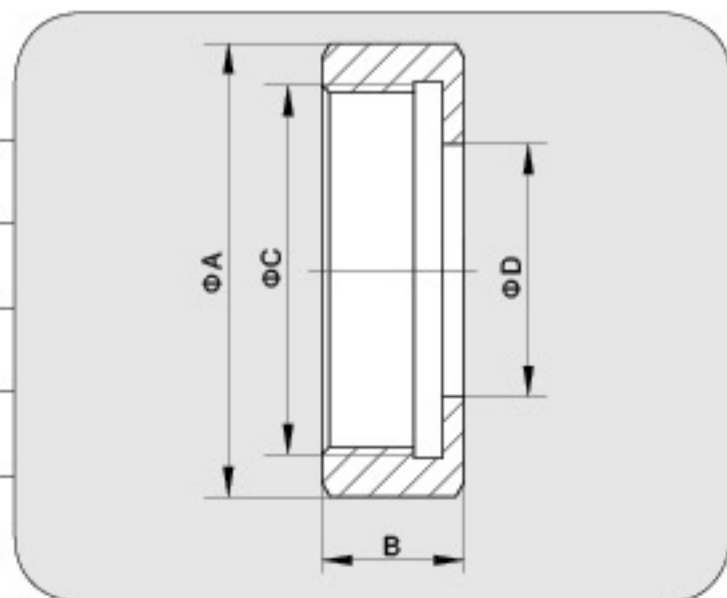


## 螺母

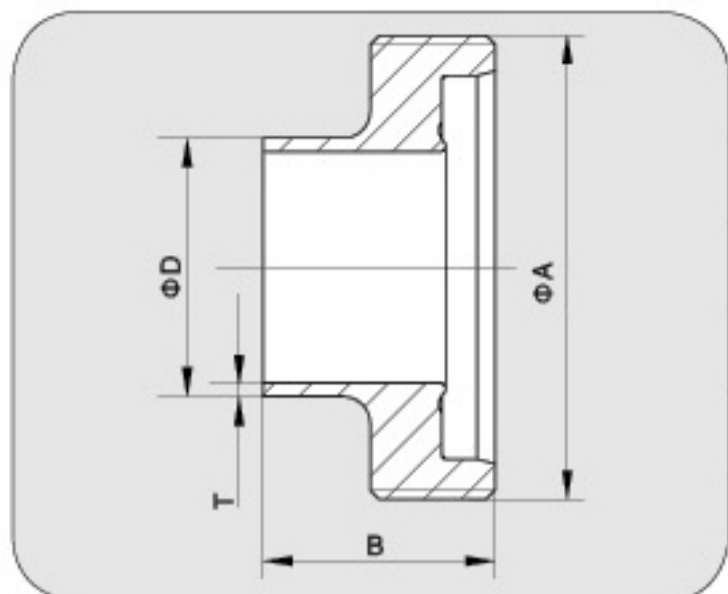
## Nut

DIN-13

Size	A	B	C	D
1"	63	21	RD52x1/6"	36
1.5"	78	21	RD65x1/6"	49
2"	92	22	RD78x1/6"	62
2.5"	112	25	RD95x1/6"	80
3"	127	29	RD110x1/4"	94
4"	148	31	RD130x1/4"	115



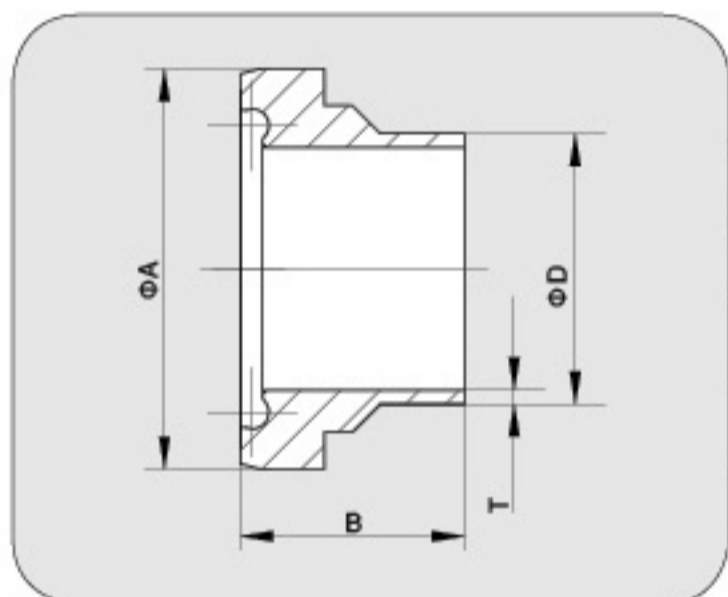
# 3A



## 3A-31L

焊接云头  
Welding male

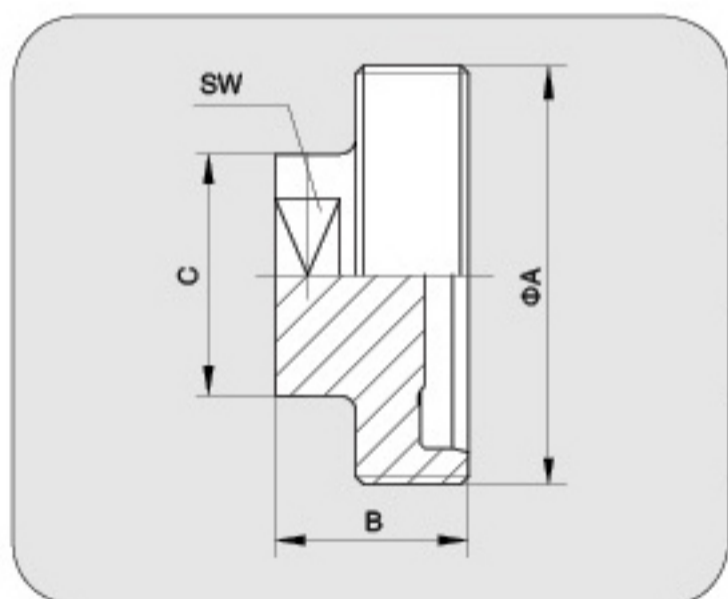
Size	A	B	D	T
1"	RD52x1/6"	43	25.4	1.65
1.5"	RD65x1/6"	48.5	38.1	1.65
2"	RD78x1/6"	48.5	50.8	1.65
2.5"	RD95x1/6"	60	63.5	1.65
3"	RD110x1/4"	64	76.2	1.65
4"	RD130x1/4"	64	101.6	2.11



## 3A-32L

焊接接头  
Welding liner

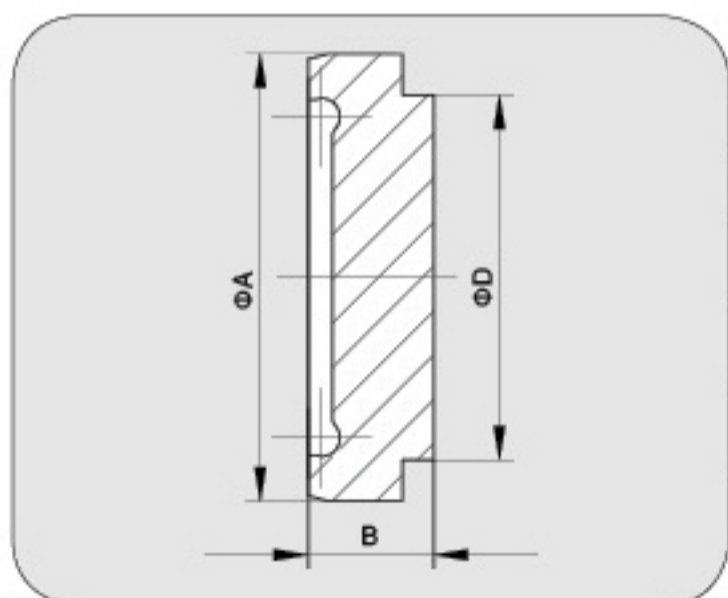
Size	A	B	D	T
1"	42.9	40	25.4	1.65
1.5"	54.9	46.5	38.1	1.65
2"	66.9	47.5	50.8	1.65
2.5"	84.9	63	63.5	1.65
3"	98.9	61	76.2	1.65
4"	118.9	65	101.6	2.11



## 3A-31B

盲云头  
Blank male

Size	A	B	C	SW
1"	RD52x1/6"	24	25	22
1.5"	RD65x1/6"	24	34	27
2"	RD78x1/6"	24	34	27
2.5"	RD95x1/6"	26	34	27
3"	RD110x1/4"	30	34	27
4"	RD130x1/4"	30	34	27



## 3A-32B

盲接头  
Blank liner

Size	A	B	D
1"	42.9	12	35
1.5"	54.9	13	48
2"	66.9	14	61
2.5"	84.9	16	79
3"	98.9	16	93
4"	118.9	20	114

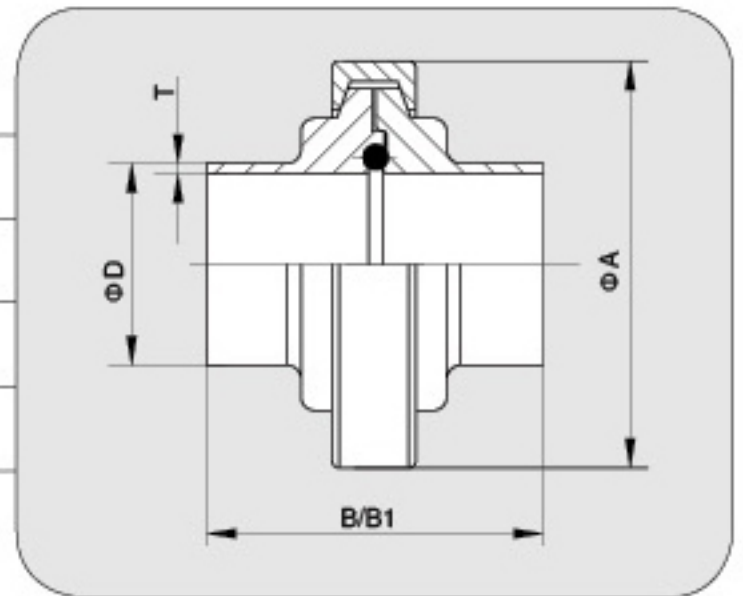
3A

## 快装组件

## Clamp fittings

3A-KS

Size	A	B	B1	D	T
1"	90	48	77	25.4	1.65
1.5"	106	48	88	38.1	1.65
2"	120	48	89	50.8	1.65
2.5"	135	48	115	63.5	1.65
3"	149	52	117	76.2	1.65
4"	180	52	119	101.6	2.11

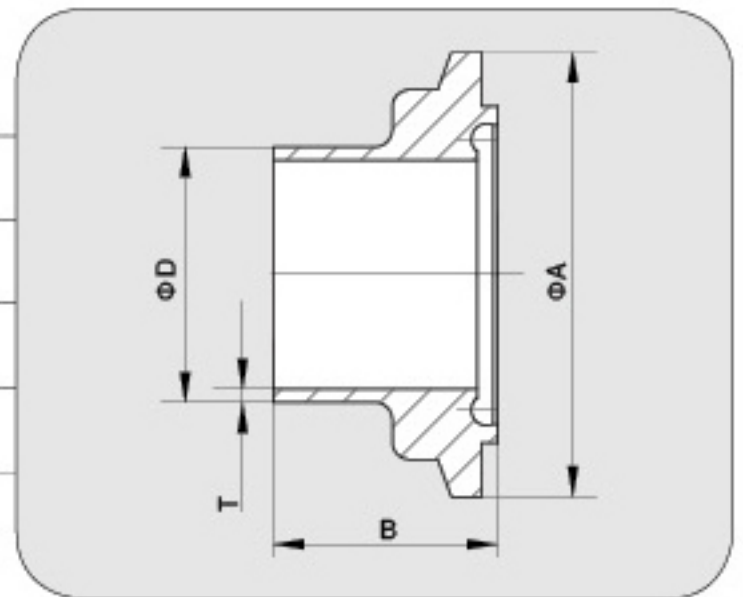


## 凸面快装接头

## Ferrule with protrude

3A-41

Size	A	B	D	T
1"	50.5	25.5	25.4	1.65
1.5"	64	25.5	38.1	1.65
2"	77.5	25.5	50.8	1.65
2.5"	91	25.5	63.5	1.65
3"	106	27.5	76.2	1.65
4"	130	27.5	101.6	2.11

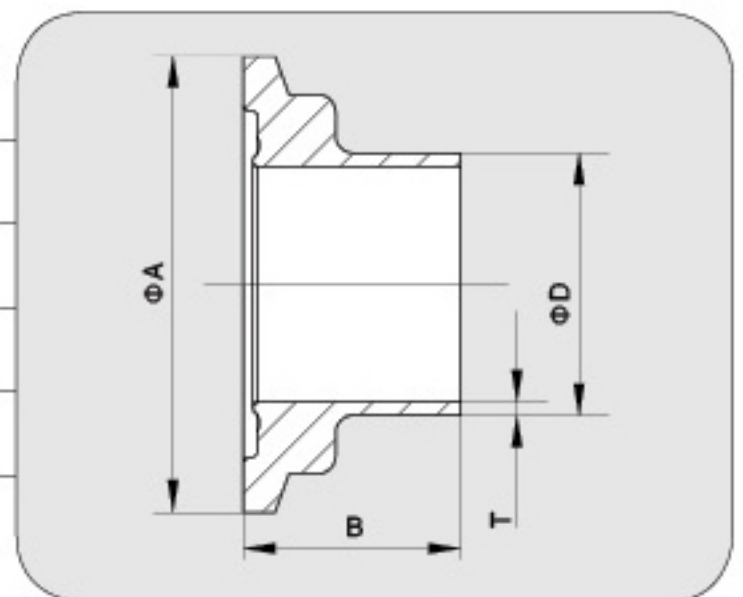


## 凹面快装接头

## Ferrule with concave

3A-42

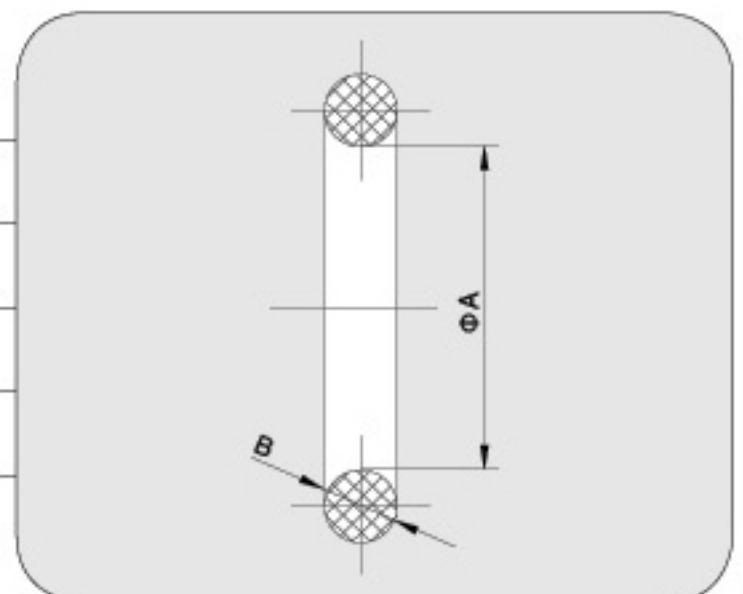
Size	A	B	D	T
1"	50.5	24	25.4	1.65
1.5"	64	24	38.1	1.65
2"	77.5	24	50.8	1.65
2.5"	91	24	63.5	1.65
3"	106	26	76.2	1.65
4"	130	26	101.6	2.11



## O型密封圈

## Seal ring

Size	A	B
1"	24	3.5
1.5"	37	5
2"	50	5
2.5"	62	5
3"	75	5
4"	100	5

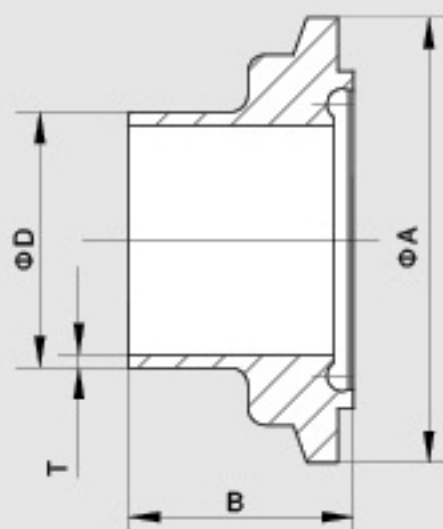


# 3A

## 凸面快装接头

### Ferrule with protrude

#### 3A-41L

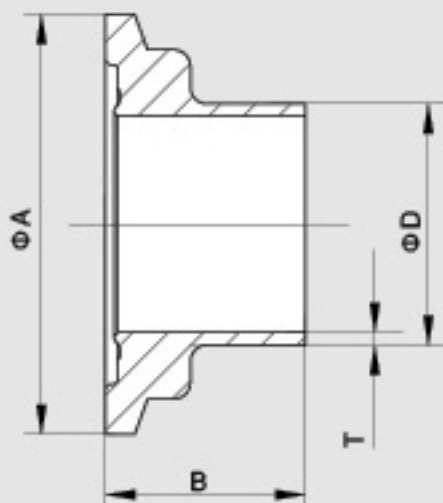


Size	A	B	D	T
1"	50.5	40	25.4	1.65
1.5"	64	45.5	38.1	1.65
2"	77.5	46	50.8	1.65
2.5"	91	59	63.5	1.65
3"	106	60	76.2	1.65
4"	130	61	101.6	2.11

## 凹面快装接头

### Ferrule with concave

#### 3A-42L

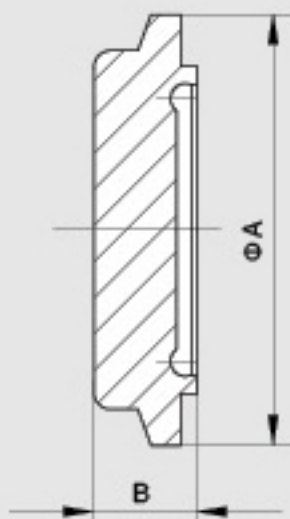


Size	A	B	D	T
1"	50.5	38.5	25.4	1.65
1.5"	64	44	38.1	1.65
2"	77.5	44.5	50.5	1.65
2.5"	91	57.5	63.5	1.65
3"	106	58.5	76.2	1.65
4"	130	59.5	101.6	2.11

## 凸面快装盲板

### Blank ferrule with protrude

#### 3A-41B

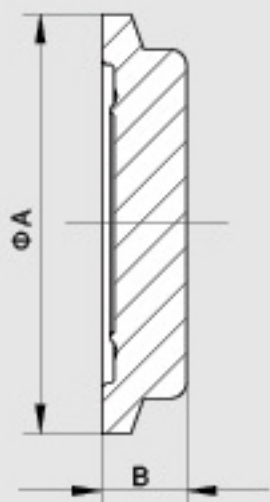


Size	A	B
1"	50.5	12
1.5"	64	15.5
2"	77.5	16
2.5"	91	19
3"	106	20
4"	130	21

## 凹面快装盲板

### Blank ferrule with concave

#### 3A-42B



Size	A	B
1"	50.5	10.5
1.5"	64	14
2"	77.5	14.5
2.5"	91	17.5
3"	106	18.5
4"	130	19.5